



Lifting your dreams

**AERIAL WORK PLATFORM**

# AT-100TT

**Maximum working height**  
11.9 m

**Maximum bucket bottom height**  
9.9 m

**Maximum working radius**  
5.84 m

**Maximum bucket loading capacity**  
200 kg or two (2) persons



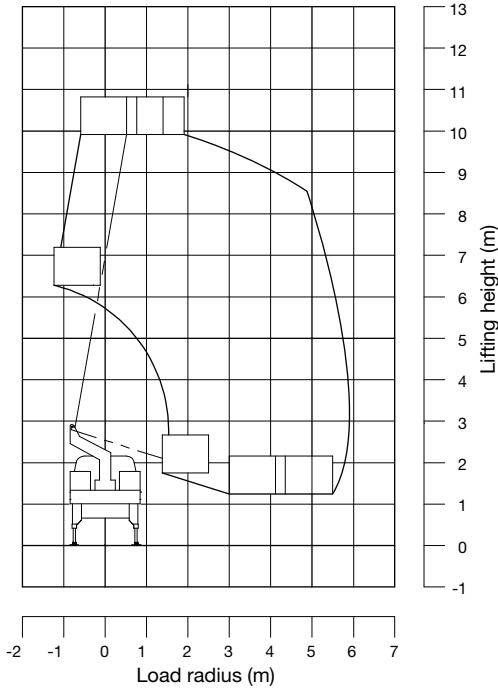
**MODEL: AT-100TT**  
**SPECIFICATIONS**

MAX. BUCKET BOTTOM HEIGHT	9.9 m
Bucket EQUIPMENT	F.R.P (Fiber-reinforced plastics) made
Bucket	0.7 m x 1.0 m x 0.9 m (L x W x D)
Inside dimensions	200 kg or two (2) persons
Capacity	By hydraulic cylinders.
Automatic leveling system	208° (Left 104°, Right 104°)
Slewing angle	
BOOM	3-section full power synchronized telescoping boom of box construction. The synchronization system consists of a double-acting hydraulic cylinder, an extension cable and a retraction cable. Hydraulic cylinder fitted with a holding valve and a pilot check valve.
Fully retracted length	3.44 m
Fully extended length	7.13 m
Extension speed	3.69 m in 13 s
ELEVATION	By a double-acting hydraulic cylinder, fitted with a holding valve.
Elevation speed	-17.5° to 80° in 25 s
SLEWING	Hydraulic motor driven through worm reduction gear. 360° continuous in either direction on ball bearing slew ring.
Slewing speed	1.2 min <sup>-1</sup> {rpm}
HYDRAULIC SYSTEM	Gear pump.
Pumps	Multiple hydraulic-control valves actuated by switch with integral relief valves, on sub-frame. And electric remote control from bucket.
Control valves	
Hydraulic oil tank capacity	Approx. 37 L
Filter	Return line filter

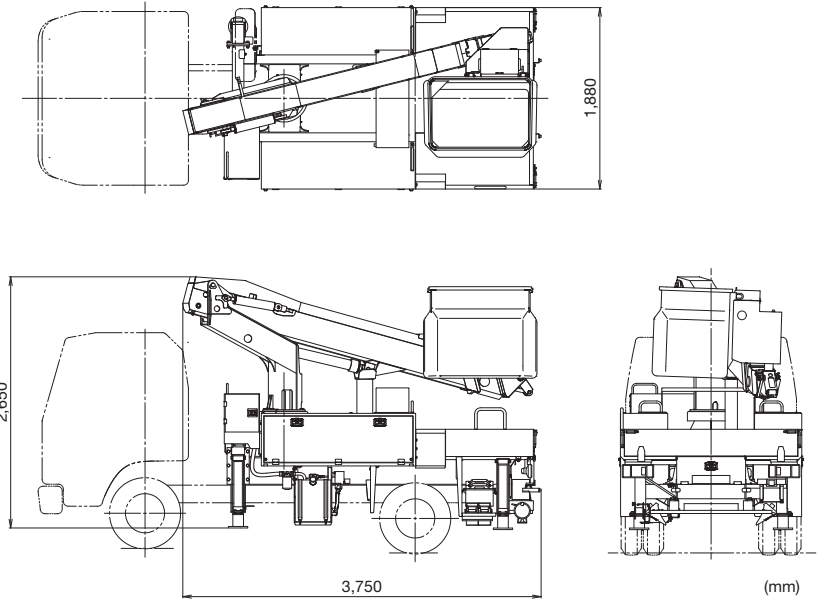
OUTRIGGERS	4 hydraulically operated outriggers. Each outrigger controlled simultaneously or independently from rear side of carrier. Equipped with sight level gauge. Floats mounted integrally with the jacks and retract to within vehicle width. All cylinders fitted with pilot check valves.
Outrigger width	1.49 m
SAFETY DEVICES	<ul style="list-style-type: none"> <li>• Automatic working area limiter (AMC)</li> <li>• Boom profile monitor system (Prevent hitting vehicle by boom and by bucket)</li> <li>• Automatic speed control system on boom elevation and slewing.</li> <li>• Automatic speed reduction and slow stop function on boom elevation, slewing and telescoping.</li> <li>• Automatic acceleration</li> <li>• Boom and bucket automatic stowing</li> <li>• Emergency pump</li> <li>• Emergency stop system</li> <li>• Parking brake alarm</li> <li>• PTO connect alarm (when drive)</li> <li>• Jack interlock</li> <li>• Boom interlock</li> <li>• Jack indicator</li> <li>• Hydraulic cylinder lock valves</li> <li>• Hydraulic safety valves</li> <li>• Level gauge</li> <li>• Foot switch (on bucket)</li> <li>• Lower control priority switch</li> </ul>
ACCESSORIES	<ul style="list-style-type: none"> <li>• Storage box with drop down door</li> <li>• Hour meter</li> <li>• Floor mat (in bucket)</li> <li>• Chocks</li> <li>• Safety belt</li> <li>• Rubber blocks (for outriggers)</li> <li>• Grease pump</li> </ul>
OPTIONAL EQUIPMENT	<ul style="list-style-type: none"> <li>• Storage box with slide door</li> <li>• Work light (on bucket)</li> <li>• Tools</li> <li>• Wood block (for outriggers)</li> </ul>

**WORKING RANGE**

Max. bucket loading capacity: 200 kg or 2 persons



**DIMENSIONS (Approx.)**



NOTE: Some specifications are subject to change.



**Tadano Ltd.**

KANDA SQUARE 18th Floor, 2-2-1 Kanda-Nishikicho,  
Chiyoda-ku, Tokyo 101-0054, Japan  
Phone: +81-3-6811-7309  
info@tadano.com www.tadano.com

