



Lifting your dreams

AERIAL WORK PLATFORM

AT-200S

Maximum working height
21.7 m

Maximum platform height
19.7 m

Maximum working radius
11.2 m

Maximum platform loading capacity
1,000 kg



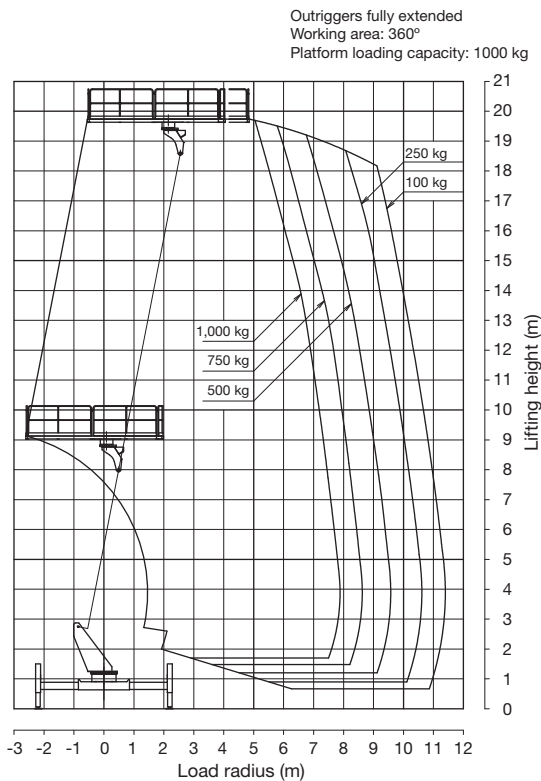
MODEL: AT-200S

SPECIFICATIONS

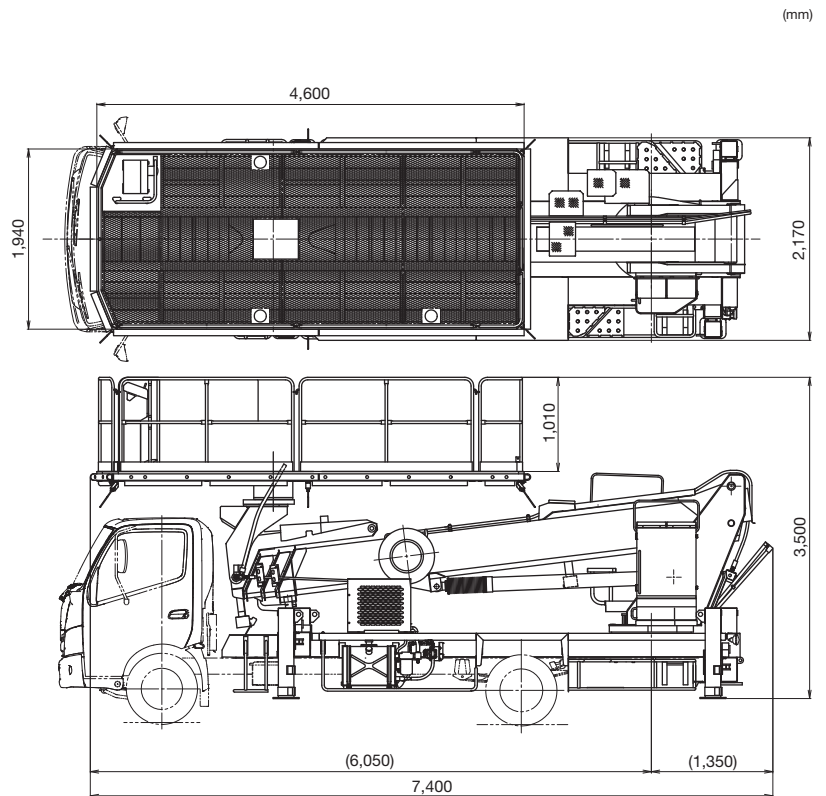
MAX. PLATFORM HEIGHT	19.7 m
PLATFORM EQUIPMENT	
Outside dimensions	4.6 m x 1.94 m x 1.01 m (L x W x D)
Capacity	1,000 kg
Automatic leveling system	By hydraulic cylinders.
Slewing speed	0.9 min ⁻¹
BOOM	4-section full power synchronized telescoping boom of box construction. The synchronization system consists of a double-acting hydraulic cylinder, an extension cable and a retraction cable. Hydraulic cylinder fitted with a holding valve and a pilot check valve.
Fully retracted length	5.41 m
Fully extended length	16.21 m
Extension speed	10.8 m in 56 s
ELEVATION	By a double-acting hydraulic cylinder, fitted with a holding valve.
Elevation speed	-17° to 79° in 61 s
SLEWING	Hydraulic motor driven through worm reduction gear. 360° continuous in either direction on ball bearing slew ring.
Slewing speed	0.8 min ⁻¹
HYDRAULIC SYSTEM	
Pumps	Gear pump
Control valves	Multiple hydraulic-control valves actuated by switch with integral relief valves, on slewing frame. And electric remote control from platform.
Hydraulic oil tank capacity	Approx. 110 L
Filter	Return line filter

OUTRIGGERS	4 hydraulically operated outriggers. Each outrigger controlled simultaneously or independently from rear side of carrier. Equipped with sight level gauge. Floats mounted integrally with the jacks and retract to within vehicle width. All cylinders fitted with pilot check valves.
Fully extended width	4.4 m
SAFETY DEVICES	<ul style="list-style-type: none"> • Automatic moment limiter (AMC) • Voice alarm • Boom interference prevention device with undercarriage • Platform interference prevention device with boom • Automatic speed control system on boom elevation, and slewing • Automatic speed reduction and slow stop function on boom elevation, slewing, telescoping and platform slewing • Foot switch (in platform) • Control lever guards • Emergency pump • Emergency stop system • Jack interlock • Boom interlock • Outrigger indicator • Hydraulic cylinder lock valves • Hydraulic safety valves • Level gauge
ACCESSORIES	<ul style="list-style-type: none"> • Hour meter • Rubber blocks (for outriggers) • Chocks
OPTIONAL EQUIPMENT	<ul style="list-style-type: none"> • Work light (in platform) • Safety belt • Beacon light (on outrigger jacks) • Wood blocks (for outrigger) • Grease pump • Tools

WORKING RANGE



DIMENSIONS (Approx.)



NOTE: Some specifications are subject to change.



Tadano Ltd.

KANDA SQUARE 18th Floor, 2-2-1 Kanda-Nishikicho,
Chiyoda-ku, Tokyo 101-0054, Japan
Phone: +81-3-6811-7309
info@tadano.com www.tadano.com

