

TADANO CARGO CRANE

MODEL : **TM-ZE554** series

MODEL	SPEC.	SPEC. No.
TM-ZE554HRS	Hook-in Radio controller Safety device (AML : Rated capacity indicator/limiter)	TM-55Z-2-03814
TM-ZE554HRS	Hook-in Radio controller Safety device (AML : Rated capacity indicator)	TM-55Z-2-03824
TM-ZE554HS	Hook-in Safety device (AML : Rated capacity indicator/limiter)	TM-55Z-2-03854

CRANE SPECIFICATIONS

CRANE CAPACITY

5,050 kg at 2.5 m (5-part line)

BOOM

Four-sectioned, fully powered partly synchronized telescoping boom of heptagonal box construction

Fully retracted length ----- 3.55 m

Fully extended length ----- 10.8 m

Extending speed ----- 7.25 m in 21 s

Elevation ----- Elevated by a double-acting hydraulic cylinder

Raising speed ----- 1° to 78° in 12 s

Boom point ----- 3 sheaves

WINCH

Hydraulic motor driven Spur gear speed reduction, provided with mechanical brake and cable follower

Single line pull ----- 9.90 kN {1,010 kgf}

Single line speed ----- 66 m/min (at 4th layer)

Wire rope

Diameter x length ----- 8 mm x 82 m

Breaking strength ----- 50.1 kN {5.1 tf}

Construction ----- 7 x 7 + 6 x WS(26)

Hook block ----- 2 sheaves

HOOK BLOCK STOWING DEVICE

Hook-in (Mechanically stowed beneath boom top portion)

SLEWING

Hydraulic motor driven Worm gear speed reduction

Continuous 360° full circle slewing on ball bearing slew ring

Automatic slewing lock

Slewing speed ----- 2.5 min⁻¹ {rpm}

OUTRIGGERS

Manually operated beams and hydraulically operated jacks

Integral with crane frame

Extended width ----- Min. 2,200 mm center to center
 (2,360 mm outer to outer)
 Mid. 3,000 mm center to center
 (3,160 mm outer to outer)
 Max. 3,800 mm center to center
 (3,960 mm outer to outer)

HYDRAULIC SYSTEM

Hydraulic pump ----- Single gear pump
 Hydraulic motors ----- Axial piston type for winch
 Axial piston type for slewing
 Control valves ----- Multiple control valves with integral
 safety valve
 Oil tank capacity ----- Approx. 57.6 L

(*1)RADIO CONTROLLER

Model : RCS-F (with colored display)

Control functions of telescoping, hoisting up and down, elevating,
 slewing, acceleration, Hook-in, Hook-out, horn, stop operation,
 outrigger operation and working height limit.

Frequency ----- 40 frequencies in 433 MHz band
 Operating power supply
 Transmitter ----- 6V DC, Dry battery R6P (SUM-3) x 4
 Control unit ----- 24V DC, Vehicle battery
 Transmitter mass ----- Approx. 670 g (includes batteries)

SAFETY DEVICES

Anti-two-block-device
 AML (Automatic Moment Limiter)
 Load indication
 Load moment ratio indication
 Warning alarm
 Rated capacity indicator/limiter or Rated capacity indicator
 Limit warning lamp
 Outrigger length detector
 Outrigger asymmetric extension width control
 Limit warning lamp(three-color)
 WHL (Working Height Limiter)
 Boom angle indicator
 Load indicator
 Load meter
 Over-unwinding prevention
 Hook safety latch
 Spirit level
 Jack interlock
 Boom/outrigger stowing reminder alarm
 Emergency stop switch
 (*1) Stop switch on radio controller
 Hydraulic safety valves, check valves and holding valves

OPTIONAL EQUIPMENT

Emergency hydraulic pump
 Outrigger pads
 Oil cooler
 Tilttable jack float
 Rear outriggers (outrigger beam non-extension type)

CRANE MASS

Approx. 1,640 kg
 (Except crane options and mounting parts.)

- NOTE : 1. Each operating speeds show the value when there is no load conditions and the pump delivery is the following conditions.
- 36 L/min (Slewing speed)
 - 60 L/min (BOOM : Extending speed, Raising speed WINCH : Single line speed)
2. *1 mark applies only to HRS specifications.

RATED LIFTING CAPACITIES (kg)

Table A

LOAD RADIUS	3.55 m BOOM			LOAD RADIUS	5.99 m BOOM		
	CRANE STRENGTH	EMPTY CHASSIS			CRANE STRENGTH	EMPTY CHASSIS	
		extension width of outriggers				extension width of outriggers	
		MAX.	MIN.			MAX.	MIN.
2.5 m and below	5,050	5,050	2,630	2.5 m and below	4,050	4,050	2,480
2.9 m	4,050	3,900	2,080	2.8 m	4,050	4,050	2,130
3.33 m	3,550	3,250	1,680	2.9 m	4,050	3,900	2,080
				3.7 m	3,130	2,800	1,380
				4.0 m	2,930	2,430	1,180
				4.5 m	2,580	1,980	930
				5.0 m	2,330	1,680	830
				5.77 m	2,030	1,330	650

LOAD RADIUS	8.39 m BOOM			LOAD RADIUS	10.8 m BOOM		
	CRANE STRENGTH	EMPTY CHASSIS			CRANE STRENGTH	EMPTY CHASSIS	
		extension width of outriggers				extension width of outriggers	
		MAX.	MIN.			MAX.	MIN.
2.6 m and below	3,130	3,130	2,480	3.5 m and below	2,130	2,130	1,480
3.0 m	3,130	3,130	1,880	4.0 m	2,130	2,130	1,180
3.7 m	3,130	2,800	1,380	4.5 m	2,130	1,980	930
4.0 m	2,930	2,430	1,180	5.0 m	2,030	1,630	780
4.5 m	2,580	1,980	930	6.0 m	1,780	1,180	580
5.0 m	2,330	1,680	830	7.0 m	1,530	1,000	450
5.5 m	2,080	1,430	680	8.0 m	1,380	800	380
6.0 m	1,930	1,180	580	9.0 m	1,200	680	330
6.5 m	1,780	1,130	550	10.0 m	1,050	580	270
7.0 m	1,630	1,000	480	10.58 m	1,000	550	240
7.5 m	1,480	900	430				
8.17 m	1,380	780	380				

Table B

LOAD RADIUS	3.55 m BOOM			LOAD RADIUS	5.99 m BOOM		
	CRANE STRENGTH	EMPTY CHASSIS			CRANE STRENGTH	EMPTY CHASSIS	
		extension width of outriggers				extension width of outriggers	
		MAX.	MIN.			MAX.	MIN.
2.5 m and below	5,050	5,050	2,880	2.6 m and below	4,050	4,050	2,750
2.9 m	4,050	4,050	2,380	2.8 m	4,050	4,050	2,500
3.33 m	3,550	3,550	1,950	2.9 m	4,050	4,050	2,380
				3.7 m	3,130	3,130	1,580
				4.0 m	2,930	2,930	1,430
				4.5 m	2,580	2,430	1,180
				5.0 m	2,330	2,030	980
				5.77 m	2,030	1,630	780

LOAD RADIUS	8.39 m BOOM			LOAD RADIUS	10.8 m BOOM		
	CRANE STRENGTH	EMPTY CHASSIS			CRANE STRENGTH	EMPTY CHASSIS	
		extension width of outriggers				extension width of outriggers	
		MAX.	MIN.			MAX.	MIN.
2.6 m and below	3,130	3,130	2,750	3.5 m and below	2,130	2,130	1,730
3.0 m	3,130	3,130	2,280	4.0 m	2,130	2,130	1,430
3.7 m	3,130	3,130	1,580	4.5 m	2,130	2,130	1,180
4.0 m	2,930	2,930	1,430	5.0 m	2,030	1,980	930
4.5 m	2,580	2,430	1,180	6.0 m	1,780	1,480	730
5.0 m	2,330	2,030	980	7.0 m	1,530	1,180	580
5.5 m	2,080	1,730	830	8.0 m	1,380	950	480
6.0 m	1,930	1,480	730	9.0 m	1,200	880	430
6.5 m	1,780	1,380	680	10.0 m	1,050	730	350
7.0 m	1,630	1,230	630	10.58 m	1,000	680	330
7.5 m	1,480	1,080	530				
8.17 m	1,380	980	480				

Table C

LOAD RADIUS	3.55 m BOOM			LOAD RADIUS	5.99 m BOOM		
	CRANE STRENGTH	EMPTY CHASSIS			CRANE STRENGTH	EMPTY CHASSIS	
		extension width of outriggers				extension width of outriggers	
		MAX.	MIN.			MAX.	MIN.
2.5 m and below	5,050	5,050	3,280	2.6 m and below	4,050	4,050	3,130
2.9 m	4,050	4,050	2,750	2.8 m	4,050	4,050	2,880
3.33 m	3,550	3,550	2,280	2.9 m	4,050	4,050	2,750
				3.7 m	3,130	3,130	1,870
				4.0 m	2,930	2,930	1,630
				4.5 m	2,580	2,580	1,380
				5.0 m	2,330	2,330	1,130
				5.77 m	2,030	2,030	930

LOAD RADIUS	8.39 m BOOM			LOAD RADIUS	10.8 m BOOM		
	CRANE STRENGTH	EMPTY CHASSIS			CRANE STRENGTH	EMPTY CHASSIS	
		extension width of outriggers				extension width of outriggers	
		MAX.	MIN.			MAX.	MIN.
2.6 m and below	3,130	3,130	3,130	3.5 m and below	2,130	2,130	1,930
3.0 m	3,130	3,130	2,630	4.0 m	2,130	2,130	1,630
3.7 m	3,130	3,130	1,870	4.5 m	2,130	2,130	1,330
4.0 m	2,930	2,930	1,630	5.0 m	2,030	2,030	1,080
4.5 m	2,580	2,580	1,380	6.0 m	1,780	1,780	780
5.0 m	2,330	2,330	1,130	7.0 m	1,530	1,480	730
5.5 m	2,080	2,030	930	8.0 m	1,380	1,200	550
6.0 m	1,930	1,830	830	9.0 m	1,200	1,030	500
6.5 m	1,780	1,650	780	10.0 m	1,050	900	430
7.0 m	1,630	1,480	730	10.58 m	1,000	830	380
7.5 m	1,480	1,350	650				
8.17 m	1,380	1,180	550				

Table D

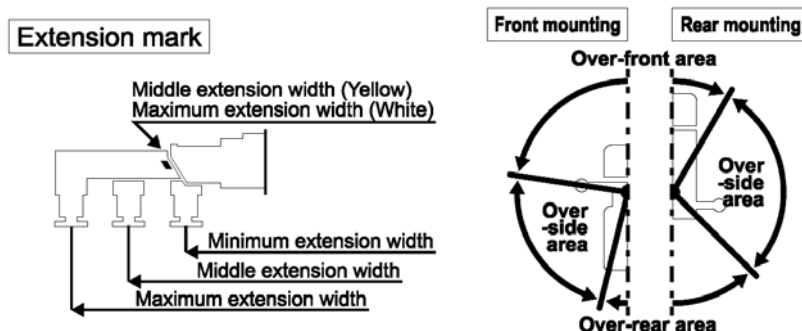
LOAD RADIUS	3.55 m BOOM			LOAD RADIUS	5.99 m BOOM		
	CRANE STRENGTH	EMPTY CHASSIS			CRANE STRENGTH	EMPTY CHASSIS	
		extension width of outriggers				extension width of outriggers	
		MAX.	MIN.			MAX.	MIN.
2.5 m and below	5,050	5,050	3,380	2.6 m and below	4,050	4,050	3,230
2.9 m	4,050	4,050	2,750	2.8 m	4,050	4,050	2,900
3.33 m	3,550	3,550	2,280	2.9 m	4,050	4,050	2,750
				3.7 m	3,130	3,130	1,870
				4.0 m	2,930	2,930	1,630
				4.5 m	2,580	2,580	1,380
				5.0 m	2,330	2,330	1,130
				5.77 m	2,030	2,030	930

LOAD RADIUS	8.39 m BOOM			LOAD RADIUS	10.8 m BOOM		
	CRANE STRENGTH	EMPTY CHASSIS			CRANE STRENGTH	EMPTY CHASSIS	
		extension width of outriggers				extension width of outriggers	
		MAX.	MIN.			MAX.	MIN.
2.6 m and below	3,130	3,130	3,130	3.5 m and below	2,130	2,130	1,930
3.0 m	3,130	3,130	2,630	4.0 m	2,130	2,130	1,630
3.7 m	3,130	3,130	1,870	4.5 m	2,130	2,130	1,330
4.0 m	2,930	2,930	1,630	5.0 m	2,030	2,030	1,080
4.5 m	2,580	2,580	1,380	6.0 m	1,780	1,780	780
5.0 m	2,330	2,330	1,130	7.0 m	1,530	1,530	730
5.5 m	2,080	2,080	930	8.0 m	1,380	1,380	550
6.0 m	1,930	1,930	830	9.0 m	1,200	1,200	500
6.5 m	1,780	1,780	780	10.0 m	1,050	1,050	430
7.0 m	1,630	1,630	730	10.58 m	1,000	1,000	380
7.5 m	1,480	1,480	650				
8.17 m	1,380	1,380	550				

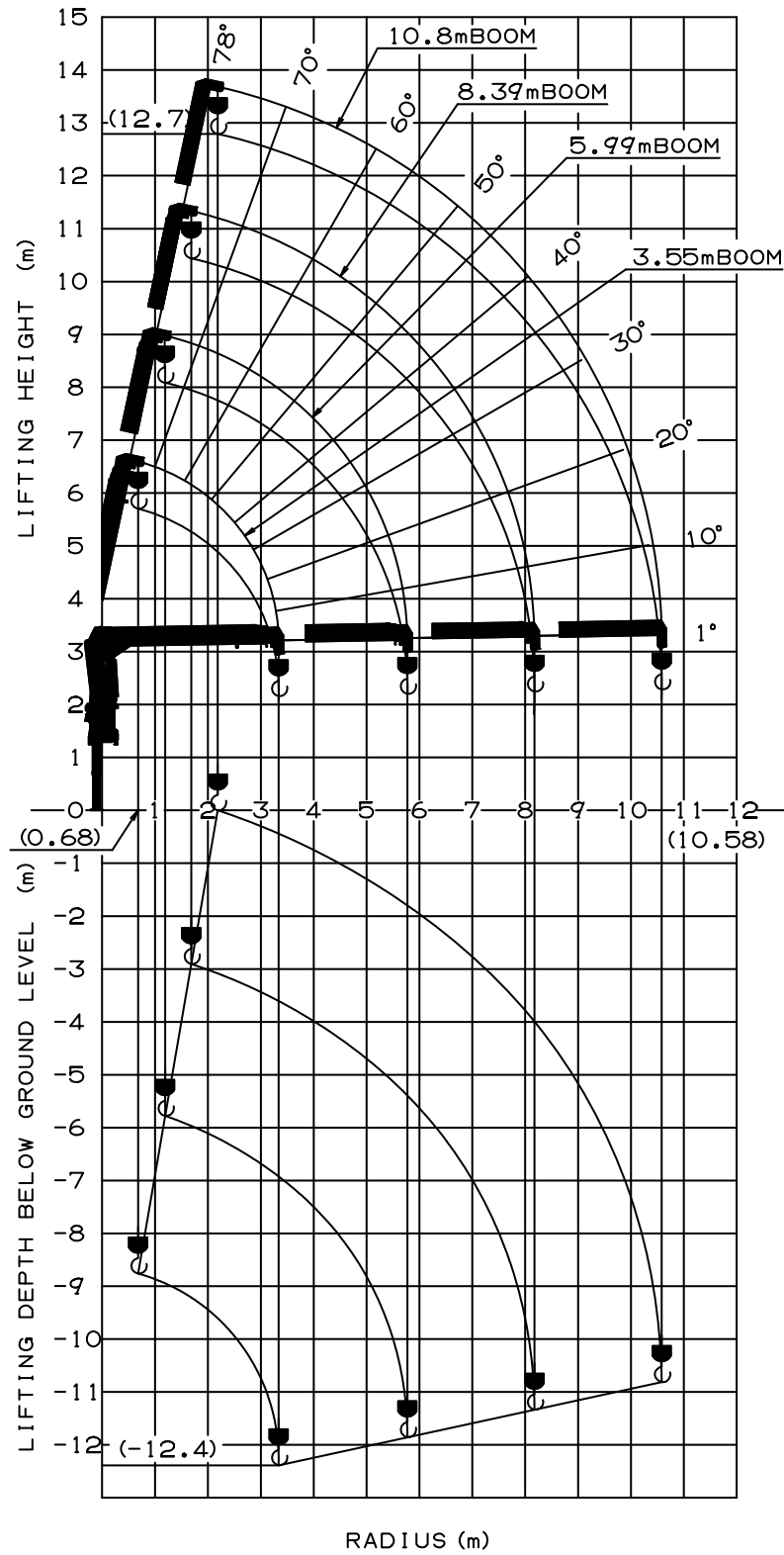
- NOTE :
1. Rated capacity indicator issues warning with the limit warning lamp and the buzzer when the working state approaches the stability limit or the strength limit.
 2. When the AML is equipped with the rated capacity limiter, an operation stops automatically if the rated lifting capacity is exceeded.
 3. When the crane is front mounted, set up the front outriggers so that the front wheels are slightly in contact with the ground. (If tire deformation is large, AML may activate earlier.)
 4. Empty Chassis Rated Capacities in these tables depend on condition that crane is set level on firm level ground.
 5. This value includes the mass of lifting devices such as hook block (45kg).
 6. When the outriggers are extended to the middle width, read the capacities rated for the minimum extension width.
 7. This load radius shows actual load radius which includes boom deflection.
 8. Rated lifting capacity is in consideration of the loading on the truck bed, and is within the range from the empty chassis rated lifting capacity to the crane strength rated lifting capacity.
 9. If the boom length exceeds the table value even a little, the performance is limited to the performance of the next boom length.
 10. When the boom length is 8.39 m, a half of the \square mark on lateral face of the 3rd boom section is exposed out of 2nd boom section.
 11. Empty chassis rated lifting capacity varies according to the working area.
 - Front mounting <over-side, over-rear area> : 100%
 - <over-front area> : 25% (*1) or 60% (*1) or 100% (*1)
 - Rear mounting <over-front, over-rear area> : 100%
 - <over-side area> : 30%
 - *1 : Depend on the types of chassis.
 12. Empty Chassis Rated Capacities table A, B, C and D depend on the types of chassis. (The following table shows guidelines for bodywork vehicles that can achieve the rated lifting capacity tables A, B, C and D for vehicles. Be sure to carry out a stability inspection to determine which performance to apply.)

A	15 t ≤ GVW,	2.9 t ≤ CAWf (*2)
B	25 t ≤ GVW,	3.8 t ≤ CAWf (*2)
C	25 t ≤ GVW,	4.4 t ≤ CAWf (*2)
D	25 t ≤ GVW,	4.7 t ≤ CAWf (*2)

*2 : Chassis front axle weight (excluding crane and mounting parts mass).

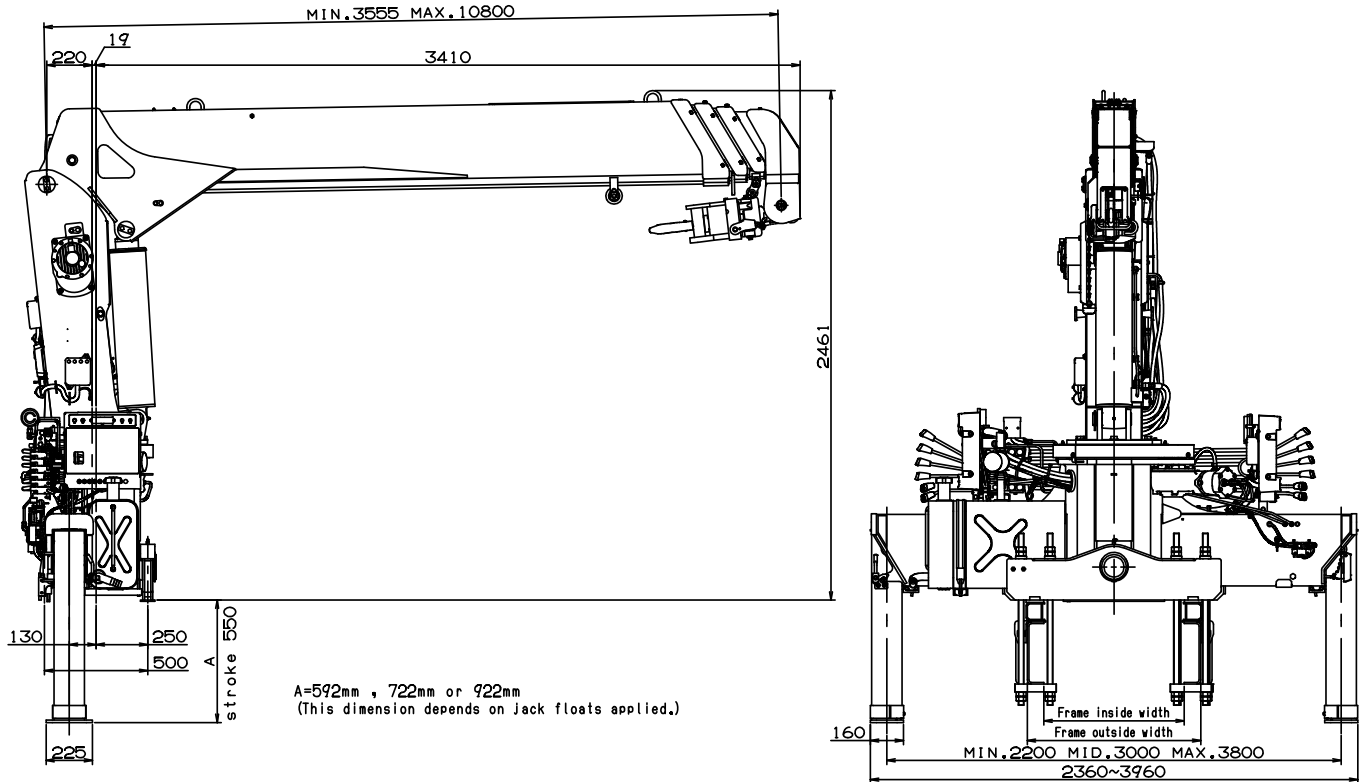


WORKING RANGE



NOTE: The above lifting heights and boom angles are based on a straight (unladen) boom, and allowance should be made for boom deflection obtained under laden conditions.

DIMENSIONS
[TM-ZE554HRS]



GENERAL DATA FOR SUITABLE TRUCKS

Gross vehicle weight	15,000 kg min.
Chassis front axle weight (excluding crane and mounting parts mass)	2,900 kg min.
P.T.O. torque	190 N·m {19.4 kgf·m} min.
P.T.O. revolution range of use (min. to max.)	Approx. 350 to 1,300 min ⁻¹ {rpm}
Width for crane mounting	Approx. 750 mm min.
Frame	Weight distribution and frame strength should be calculated for each truck
Frame width range (inside to outside)	Approx. 610 to 960 mm
Frame height (ground to chassis frame top) (*1)	Approx. 880 to 1,145 mm
Chassis frame section modulus (*2)	485 cm ³ min.

*1 Height of crane mounting surface is changed by crane bases.

*2 The chassis frame material must meet the following conditions at the crane mounting location.

—Yield point : 392 N/mm²

—Tensile strength : 540 N/mm²