

TADANO CARGO CRANE

MODEL : **TM-ZE266M**
TM-ZE266MH ----- with hook stowing device

CRANE SPECIFICATIONS

CRANE CAPACITY

2,630 kg at 1.5 m (4-part lines)

BOOM

Six-sectioned, fully powered partly synchronized telescoping boom of pentagonal box construction

Retracted length ----- 3.23 m

Extended length ----- 12.8 m

Extending speed ----- 9.57 m / 17 s

Elevation ----- Elevated by a double-acting hydraulic cylinder

Elevating speed ----- 1° to 76° / 6 s

Boom point ----- 2 sheaves

WINCH

Hydraulic motor driven Spur gear speed reduction, provided with mechanical brake and cable follower

Single line pull ----- 6.47 kN {660 kgf}

Single line speed ----- 68 m/min (at 4th layer)

Wire rope

Diameter x length ----- 8 mm x 75 m

Breaking strength ----- 43.1 kN {4.39 tf}

Construction ----- 7 x 7 + 6 x WS(26)

Hook block ----- 2 sheaves

HOOK STOWING DEVICE

Mechanically stowed beneath boom top portion

[TM-ZE266MH only]

SWING Hydraulic motor driven Worm gear speed reduction
Continuous 360° full circle swing on ball bearing slew ring
Automatic swing lock
Swing speed ----- 2.5 min⁻¹ {rpm}

OUTRIGGERS Manually extended sliders and hydraulically extended jacks
Integral with crane frame Power up and down
Extension width ----- Min. 1,720 mm
Mid. 2,400 mm
Full 3,000 mm

REAR OUTRIGGERS (Locally provided)
Full extension width ---- Not less than 2,400 mm

HYDRAULICS Hydraulic pump ----- Single gear pump
Hydraulic motors ----- Axial piston type for winch
Axial piston type for swing
Control valves ----- Multiple control valves with integral
safety valve
Oil tank capacity ----- approx. 22 L

SAFETY DEVICES Load meter
Load indicator
Over-winding alarm
Hoisting limiter
P.T.O indicator lamp
Hook safety latch
Hydraulic safety valves, check valves and holding valves
Level gauge

CRANE MASS Approx. 1,155 kg (with standardized mounting parts included)

NOTE : Operating speeds of the crane are guaranteed under the condition that the pump delivery is 53 L/min.

RATED LIFTING CAPACITIES IN KILOGRAMS

Crane Strength Rated Capacities

Load Radius	3.23 m / 5.17 m Boom		Load Radius	7.1 m Boom	Load Radius	9.0 m Boom	Load Radius	10.9 m Boom	Load Radius	12.8 m Boom
	Extension width of outriggers			Extension width of outriggers		Extension width of outriggers		Extension width of outriggers		Extension width of outriggers
	Full	Minimum		Full		Full		Full		Full
1.5 m and below	2,630	1,580	3.0 m and below	1,230	4.0 m and below	700	4.5 m and below	480	6.0 m and below	230
1.8 m	2,180	1,280	3.5 m	1,080	4.5 m	630	5.0 m	430	7.0 m	200
2.0 m	1,980	1,130	4.0 m	930	5.0 m	550	6.0 m	330	8.0 m	170
2.5 m	1,580	730	4.5 m	800	6.0 m	450	7.0 m	280	9.0 m	150
3.0 m	1,330	530	5.0 m	700	7.0 m	380	8.0 m	230	10.0m	130
3.5 m	1,130	380	5.5 m	630	8.0 m	330	9.0 m	200	11.0m	120
4.0 m	980	280	6.0 m	580	8.8 m	300	10.0 m	180	12.6m	100
4.97m	780	180	6.9 m	500			10.7 m	160		

- NOTES :
1. The mass of hook block (30kg), slings and all similarly used load handling devices must be added to the mass of the load.
 2. The above numerical values of total rated loads are based on crane strength only. The total rated loads based on stability may lower than those in the above table depending on the loading conditions and the types of the chassis.

Empty Chassis Rated Capacities

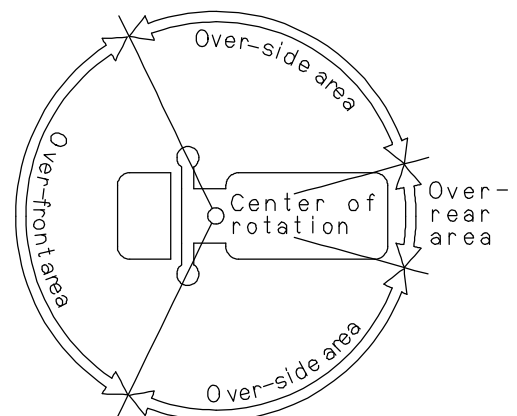
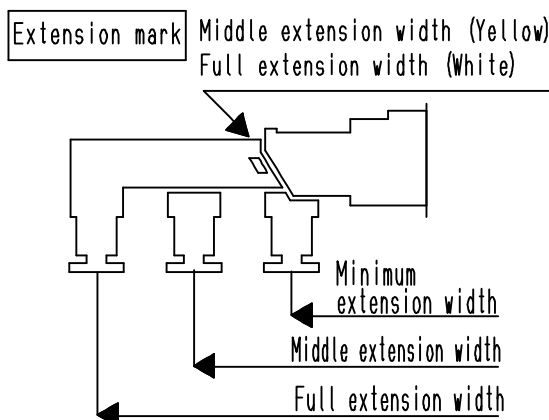
Table C

Load Radius	3.23 m / 5.17 m Boom		Load Radius	7.1 m Boom	Load Radius	9.0 m Boom	Load Radius	10.9 m Boom	Load Radius	12.8 m Boom
	Extension width of outriggers			Extension width of outriggers		Extension width of outriggers		Extension width of outriggers		
	Full	Minimum		Full		Full		Full		
1.5 m and below	2,630	1,580	3.0 m and below	1,230	4.0 m and below	680	4.5 m and below	380	6.0 m and below	220
1.8 m	2,130	1,280	3.5 m	1,030	4.5 m	580	5.0 m	330	7.0 m	180
2.0 m	1,930	1,130	4.0 m	880	5.0 m	530	6.0 m	250	8.0 m	150
2.5 m	1,530	730	4.5 m	730	6.0 m	430	7.0 m	210	9.0 m	130
3.0 m	1,230	530	5.0 m	580	7.0 m	350	8.0 m	180	10.0m	120
3.5 m	1,030	380	5.5 m	530	8.0 m	300	9.0 m	150	11.0m	120
4.0 m	880	280	6.0 m	480	8.8 m	230	10.0 m	130	12.6m	100
4.97m	630	180	6.9 m	380			10.7 m	130		

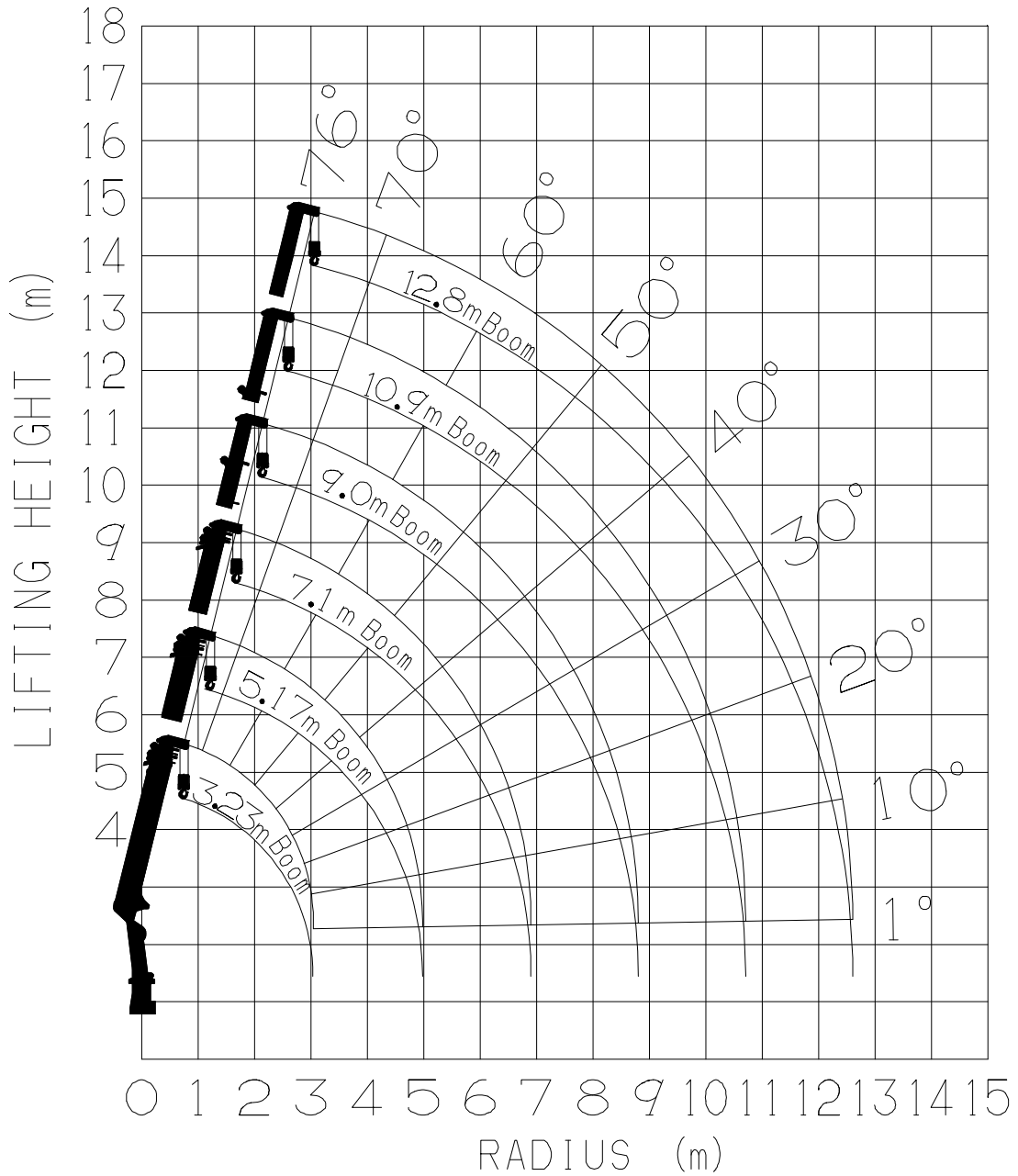
Table D

Load Radius	3.23 m / 5.17 m Boom		Load Radius	7.1 m Boom	Load Radius	9.0 m Boom	Load Radius	10.9 m Boom	Load Radius	12.8 m Boom
	Extension width of outriggers			Extension width of outriggers		Extension width of outriggers		Extension width of outriggers		Extension width of outriggers
	Full	Minimum		Full		Full		Full		Full
1.5 m and below	2,630	1,580	3.0 m and below	1,230	4.0 m and below	700	4.5 m and below	480	6.0 m and below	230
1.8 m	2,180	1,280	3.5 m	1,080	4.5 m	630	5.0 m	430	7.0 m	200
2.0 m	1,980	1,130	4.0 m	930	5.0 m	550	6.0 m	330	8.0 m	170
2.5 m	1,580	730	4.5 m	800	6.0 m	450	7.0 m	280	9.0 m	150
3.0 m	1,330	530	5.0 m	700	7.0 m	380	8.0 m	230	10.0m	130
3.5 m	1,130	380	5.5 m	630	8.0 m	330	9.0 m	200	11.0m	120
4.0 m	980	280	6.0 m	580	8.8 m	300	10.0 m	180	12.6m	100
4.97m	780	180	6.9 m	500			10.7 m	160		

- NOTES :
1. Empty Chassis Rated Capacities in these tables depend on condition that crane is set level on firm level ground.
 2. The mass of hook block (30 kg), slings and all similarly used load handling devices must be added to the mass of load.
 3. For boom lengths not shown, use the rated lifting capacity of next longer boom.
 4. When outriggers are extended to middle extension width, use the rated lifting capacities for outriggers are extended to minimum extension width .
 5. For boom lengths longer than 5.17m, extend front outriggers and rear outriggers to full extension width.
 6. When the boom length is 9.0 m, a half of the first \sphericalangle mark on lateral face of the 4th boom section is exposed out of the 3rd boom section.
 7. When the boom length is 10.9 m, a half of the second \sphericalangle mark on lateral face of the 4th boom section is exposed out of the 3rd boom section.
 8. Empty Chassis Rated Capacities table C and D depend on the types of chassis.
 9. Empty Chassis Rated Capacities are shown for over-side areas and over-rear area. These capacities for over-front area may be lowered depending on the types of chassis.

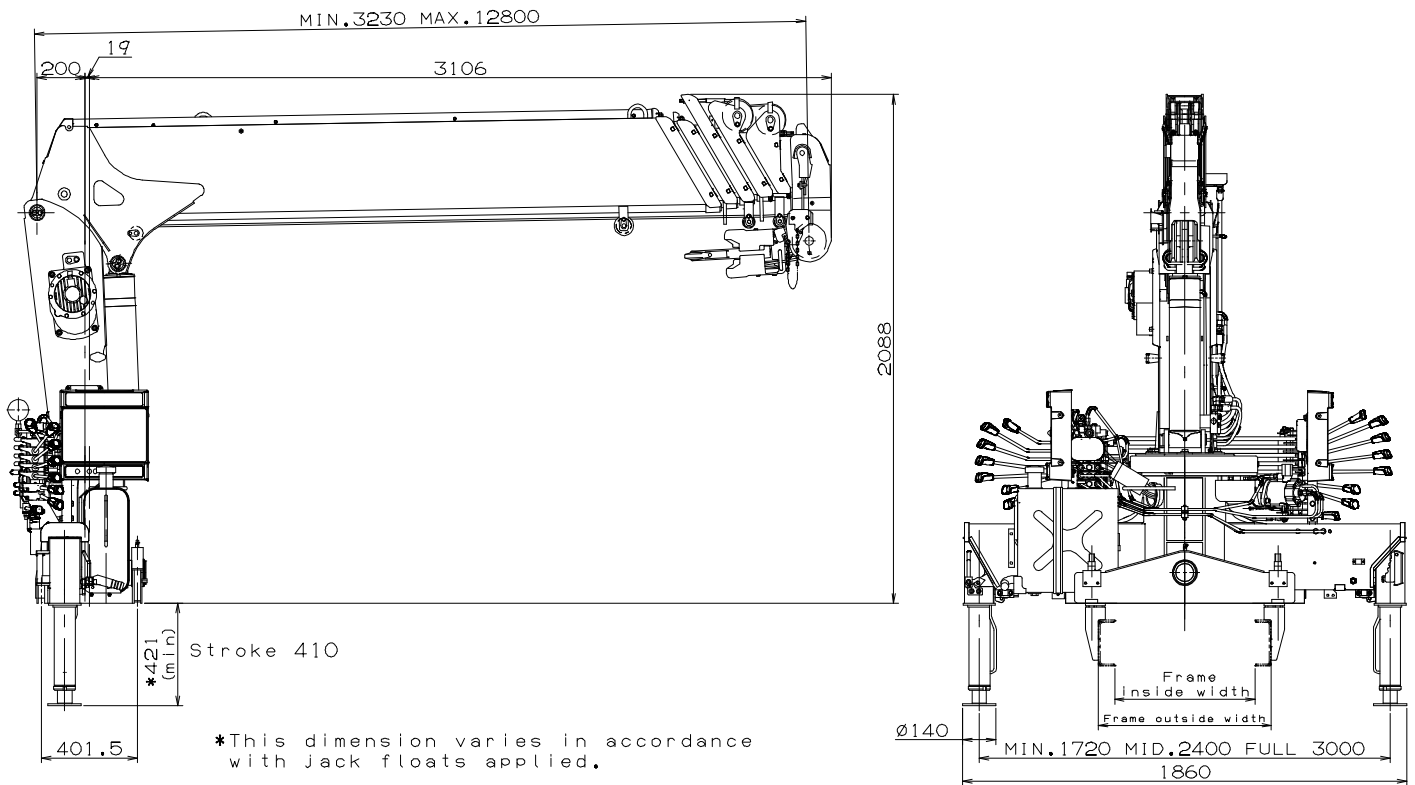


WORKING RANGE



NOTE: The above lifting heights and boom angles are based on a straight (unladen) boom, and allowance should be made for boom deflection obtained under laden conditions.

DIMENSIONS [TM-ZE266MH]



GENERAL DATA FOR SUITABLE TRUCKS

Gross vehicle mass (including crane mass) -----	4,500 to 8,000 kg
P.T.O. torque -----	140 N-m {14.3 kgf-m} min.
P.T.O. revolution -----	Approx. 300 to 1,700 min ⁻¹ {rpm}
Width for crane mounting -----	Approx. 605 mm min.
Frame -----	Weight distribution and frame strength should be calculated for each truck
Frame width range (inside to outside) -----	Approx. 680 to 790 mm
Frame height (ground to frame top) -----	Approx. 1,010 mm max.
	(Height of crane mounting base can be changed by combination of jack floats and crane bases)