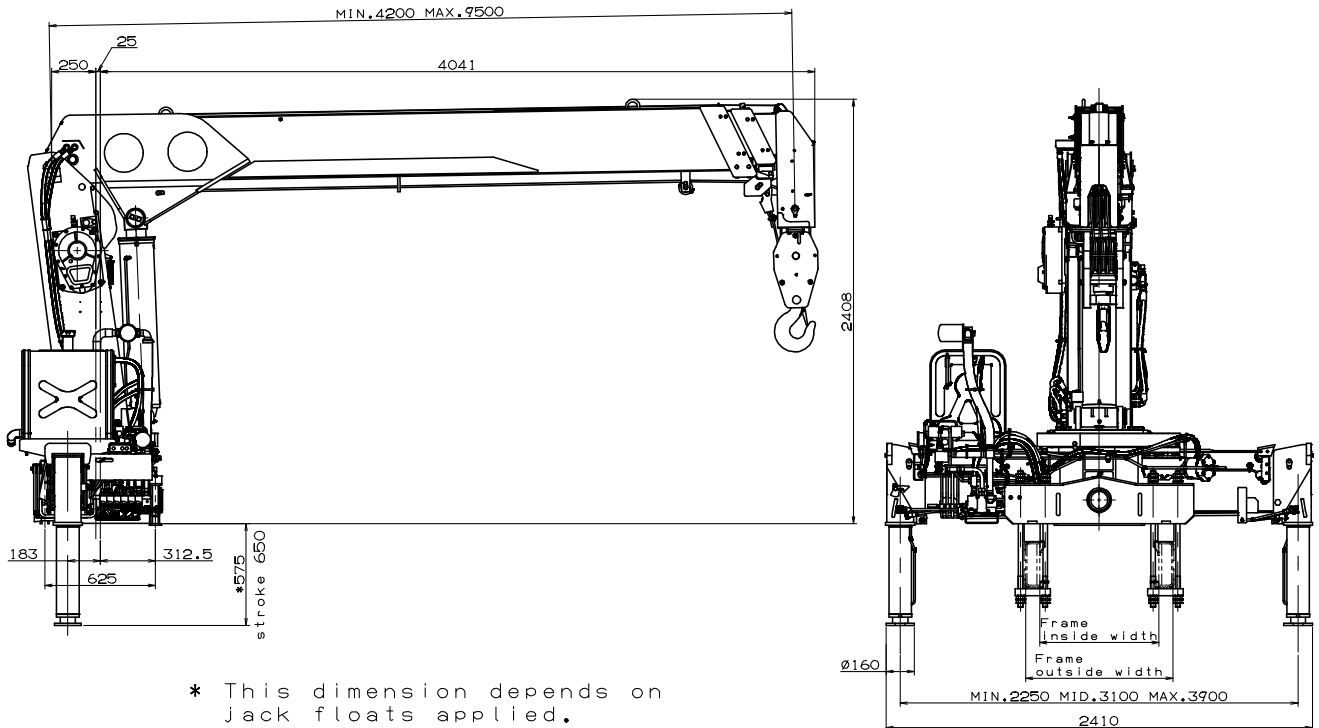


DIMENSIONS



GENERAL DATA FOR SUITABLE TRUCKS

- Gross vehicle mass (including crane mass) --- 20,000 kg or more
- P.T.O. torque ----- 167 N-m{17 kgf-m} min.
- P.T.O. revolution ----- Approx. 1,700 min⁻¹{rpm} max.
- Width for crane mounting ----- Approx. 920 mm min.
- Frame ----- Weight distribution and frame strength should be calculated for each truck
- Frame width range (inside to outside) ----- Approx. 576 to 953 mm
- Frame height (ground to frame top) ----- Approx. 1,055 mm max.
(Height of crane mounting base can be changed by combination of jack floats and crane bases)