

TADANO CARGO CRANE

MODEL: TM-ZT824**CRANE SPECIFICATIONS**

MAXIMUM LIFTING CAPACITY 8,200 kg at 1.8 m (6-part line)

CRANE CAPACITY 4,900 kg at 3.1 m (4-part line)

BOOM Four-sectioned, fully powered partly synchronized telescoping boom

Retracted length ----- 4.31m

Extended length -----12.91m

Extending speed ----- 8.6 m / 23 s

Elevation-----Elevated by a double-acting
Hydraulic cylinder

Elevating speed -----1° to 82° / 13 s

Boom point ----- 3 sheaves

WINCH Hydraulic motor driven Spur gear speed reduction, provided with
mechanical brake

Single line pull -----14.72 kN {1,500 kgf}

Single line speed -----64 m/min (at 4th layer)

Wire rope

 Diameter x length -----10 mm x 80 m

 Breaking strength -----73.5 kN {7,500 kgf}


 Construction -----7 x 7 + 6 x Fi(29)

Hook block ----- 3 sheaves

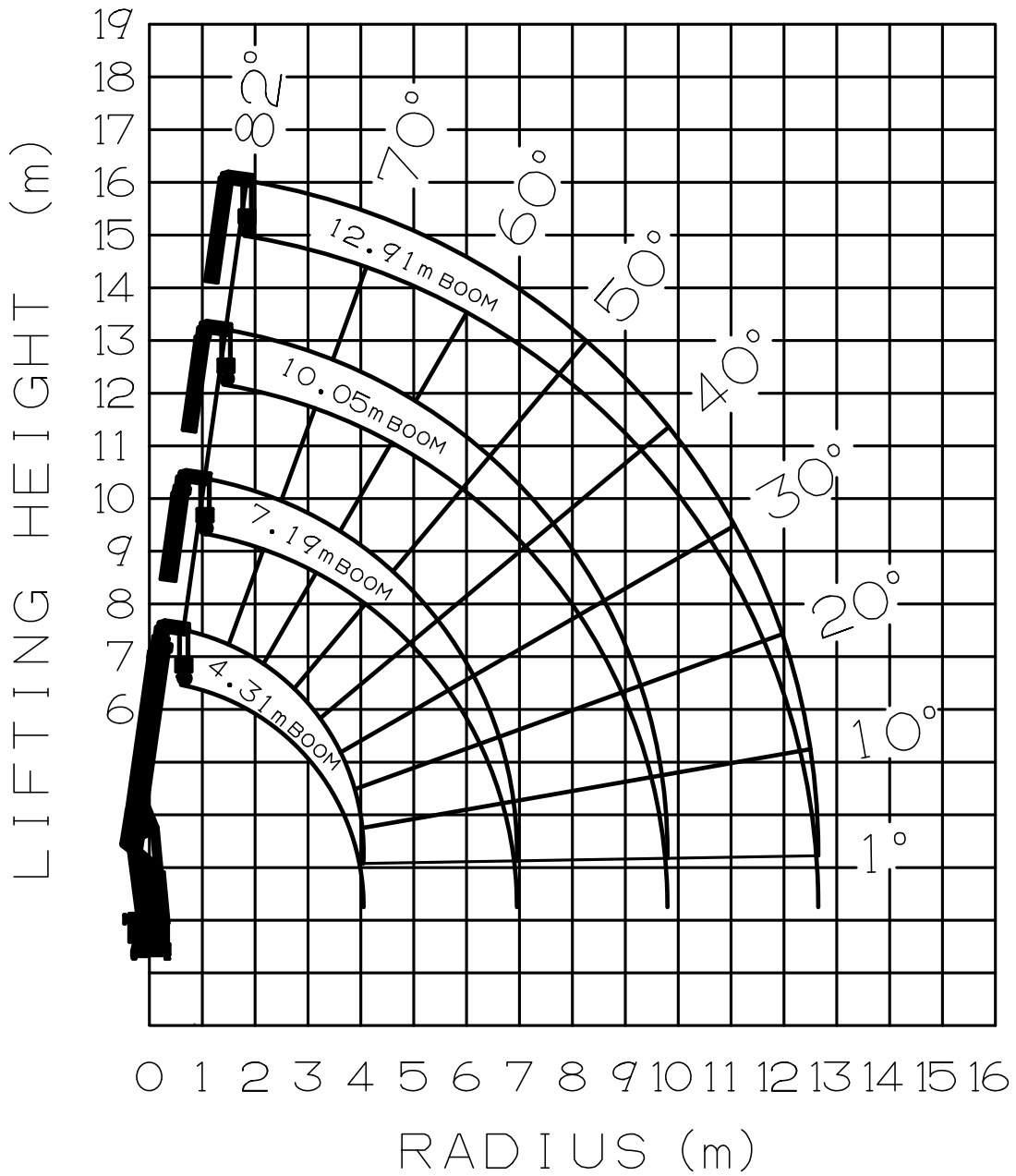
RATED LIFTING CAPACITIES IN KILOGRAMS

Crane Strength Rated Capacities

Load Radius	4.31 m Boom	Load Radius	7.19 m Boom	Load Radius	10.05 m Boom	Load Radius	12.91 m Boom
1.8 m and below	8,200	2.25 m and below	6,000	4.5 m and below	3,000	4.5 m and below	3,000
2.25 m	6,000	3.1 m	4,900	5.0 m	2,900	5.0 m	2,650
3.1 m	4,900	3.5 m	4,200	6.0 m	2,200	6.0 m	2,200
3.5 m	4,200	4.0 m	3,700	7.0 m	1,800	7.0 m	1,800
4.06 m	3,650	4.5 m	3,300	8.0 m	1,550	8.0 m	1,500
		5.0 m	2,900	9.0 m	1,350	9.0 m	1,300
		6.0 m	2,200	9.8 m	1,200	10.0 m	1,100
		6.94 m	1,800			11.0 m	950
						12.66 m	700

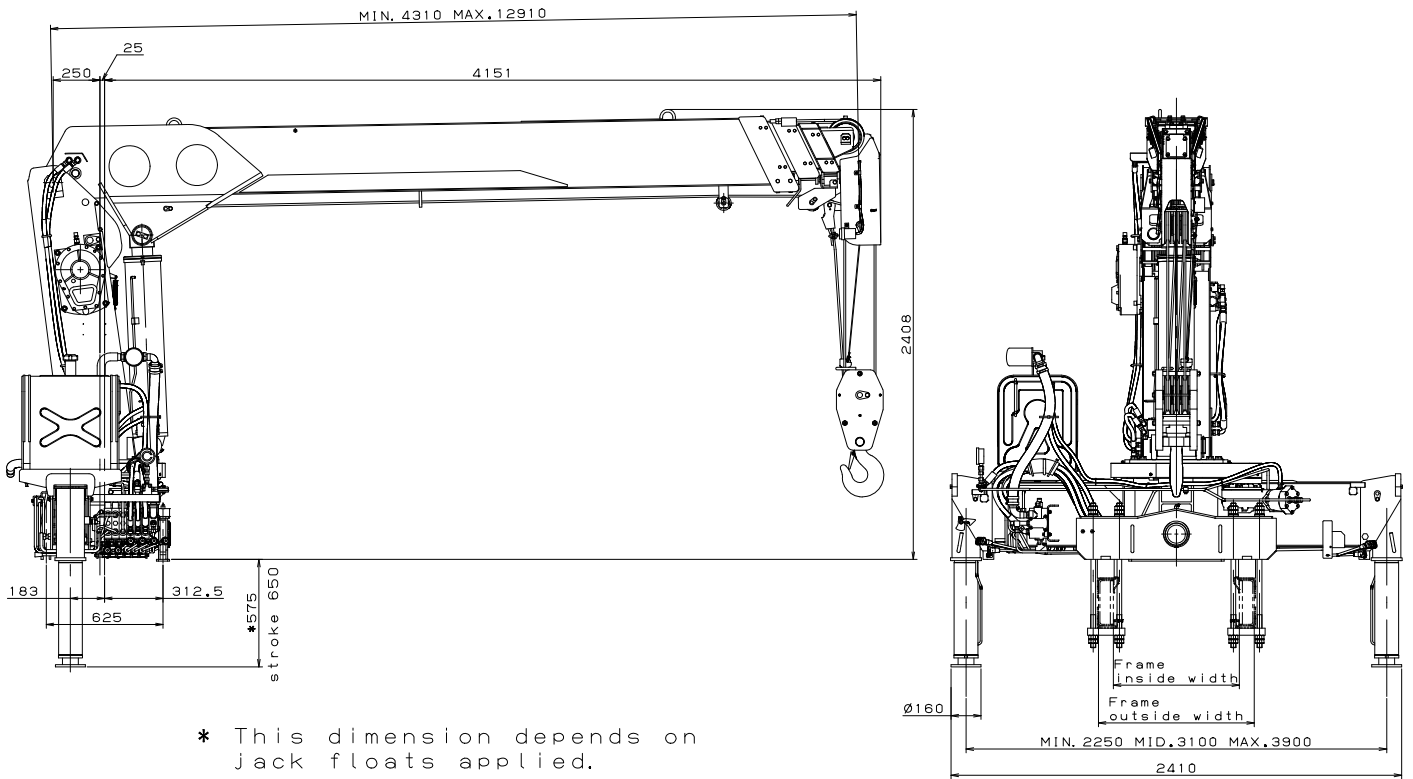
- NOTES :
1. The above numerical values of total rated loads are based on crane strength only. The total rated loads based on stability may lower than those in the above table depending on the loading conditions and the types of the chassis.
 2. Rated Lifting Capacities in these tables depend on condition that crane is set level on firm level ground.
 3. The mass of the hook (90 kg), slings and all similarly used load handling devices must be added to the mass of the load.
 4. For boom lengths not shown, use the rated lifting capacity of next longer boom.
 5. 10.05 m boom means  mark on 3rd boom section side plate is half seen.
 6. When the lifting load is heavier than 6,000kg, number of part lines must be 6. In case of 6,000kg or less, number of part lines must be 4. Load per line must not surpass 14.7kN{1,500kgf}.

WORKING RANGE



NOTE: The above lifting heights and boom angles are based on a straight (unladen) boom, and allowance should be made for boom deflection obtained under laden conditions.

DIMENSIONS



GENERAL DATA FOR SUITABLE TRUCKS

Gross vehicle mass (including crane mass) --- 20,000 kg or more

P.T.O. torque ----- 167 N-m{17 kgf-m} min.

P.T.O. revolution ----- Approx. 1,700 min⁻¹{rpm} max.

Width for crane mounting ----- Approx. 920 mm min.

Frame ----- Weight distribution and frame strength should be calculated for each truck

Frame width range (inside to outside) ----- Approx. 576 to 953 mm

Frame height (ground to frame top) ----- Approx. 1,055 mm max.

(Height of crane mounting base can be changed by combination of jack floats and crane bases)