

GR-130EX

Crane capacity

13,000 kg at 1.5 m

6-section long boom

5.3 m–23.8 m

2-staged jib

3.6 m/5.5 m

Maximum lifting height

24.5 m (Boom)

30.0 m (Jib)

Maximum load radius

22.5 m (Boom)

23.2 m (Jib)



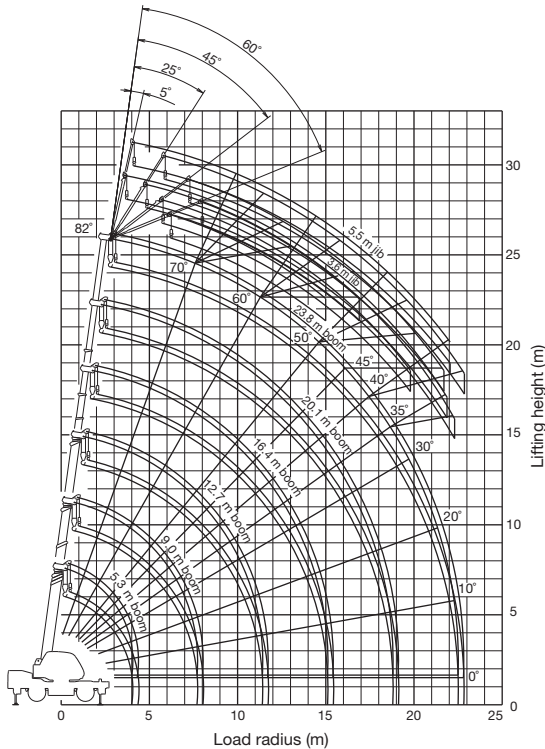
MODEL: GR-130EX

SPECIFICATIONS

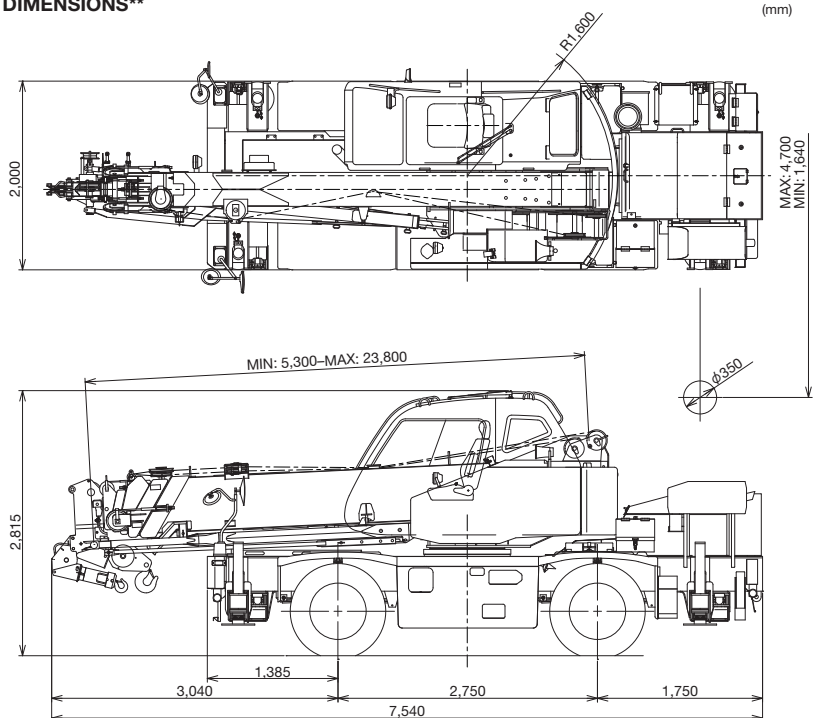
MAXIMUM CAPACITY	13,000 kg at 1.5 m
PERFORMANCE	
Max. traveling speed	49 km/h
Gradeability (tan θ)	53% (at stall), 30%*
* Machine should be operated within limit of engine crackcase design. (30°: Mitsubishi 4M50-TLA3B)	
WEIGHT	
Gross vehicle mass	14,145 kg (incl. 1.8 ton hook block)
-front axle	7,100 kg
-rear axle	7,045 kg
MIN. TURNING RADIUS	6.5 m (2-wheel steering), 3.8 m (4-wheel steering) (at center of extreme outer tire)
BOOM	
6-section full power partially synchronized telescoping boom.	
Fully retracted length	5.3 m
Fully extended length	23.8 m
Extension speed	18.5 m in 52 s
Angle	-3°-82°
Elevation speed	-3° to 82° in 29 s
JIB	
2-staged under slung boom with quadruple offset. Single sheave at jib head.	
Offset	5°, 25°, 45°, 60°
Length	3.6 m and 5.5 m
MAIN WINCH	
Variable speed type with grooved drum driven by hydraulic axial piston motor.	
Single line pull	17.6 kN {1,800 kgf}
Single line speed	125 m/min. (at 5th layer)
Wire rope	11.2 mm x 137 m (Diameter x length)
AUXILIARY WINCH	
Variable speed type with grooved drum driven by hydraulic axial piston motor.	
Single line pull	17.6 kN {1,800 kgf}
Single line speed	110 m/min. (at 3rd layer)
Wire rope	11.2 mm x 66 m (Diameter x length)
SLEWING	
Slewing speed	2.4 min ⁻¹ {rpm}
Tail slewing radius	1,600 mm
HYDRAULIC SYSTEM	
Pumps... 2 variable piston pumps for crane functions. Tandem gear pump for steering, slewing and optional equipment.	
Control valves...	Multiple valves actuated by pilot pressure with integral pressure relief valves.
Reservoir... 172 liters capacity. External sight level gauge.	
Oil cooler... Air cooled fan type.	

TADANO Automatic Moment Limiter (TADANO AML-C)	Following information is displayed: <ul style="list-style-type: none"> Control lever lockout function with audible and visual pre-warning Number of parts of line Boom position indicator Outrigger state indicator Slewing angle Boom angle / boom length / jib offset angle / jib length / load radius / rated lifting capacities / actual loads read out Potential lifting height Ratio of actual load moment to rated load moment indication Permissible load Automatic speed reduction and slow stop function for boom elevation and slewing Working condition register switch Load radius / boom angle / tip height / slewing range preset function External warning lamp Tare function Main hydraulic oil pressure Fuel consumption monitor Drum rotation indicator (audible and visible type) main and auxiliary winch On-rubber indicator
OUTRIGGERS	4 hydraulic, beam and jack outriggers. Vertical jack cylinders equipped with integral holding valve. Each outrigger beam and jack is controlled independently from cab.
Extension width	Max. ... 4,700 mm, Mid. ... 4,300 mm, 3,500 mm, 2,500mm Min. ... 1,640 mm, Float size (Diameter)... 350 mm
CARRIER	Rear engine, right-hand drive, driving axle 2-way selected type by manual switch. 4 x 2 front drive, 4 x 4 front and rear drive.
ENGINE	Model... Mitsubishi 4M50-TLU3B [EUROMOT Stage IIIA] 4M50-TLA3B [EPA Tier3] Type... 4-cycle, turbo charged and after cooled, direct injection diesel. Piston displacement... 4.90 liters Bore x stroke... 114 mm x 120 mm Max. output... 129 kW at 2,700 min ⁻¹ {rpm} Max. torque... 529 N·m at 1,600 min ⁻¹ {rpm}
TRANSMISSION	Electronically controlled full automatic transmission.
STEERING	Hydraulic power steering controlled by steering wheel. 4 steering modes available: 2 wheel front, 2 wheel rear, 4 wheel coordinated and 4 wheel crab.
SUSPENSION	Front: Semi-elliptic leaf springs with hydraulic lockout device. Rear: Semi-elliptic leaf springs with hydraulic lockout device.
TIRES	275/80R22.5 (OR)
FUEL TANK CAPACITY	189 liters

WORKING RANGE



DIMENSIONS**



**In this external views, a few equipment are included.

Note: Some specifications are subject to change.



TADANO LTD. (International Sales Division)
 4-12, Kamezawa 2-chome, Sumida-ku Tokyo 130-0014, Japan
 Phone: +81-3-3621-7750 Fax: +81-3-3621-7785
<http://www.tadano.com/> E-mail: info@tadano.com

